



### Contact

Tel: +86-571-82432777  
Fax: +86-571-82432555  
E-mail: [selena.zhong@fuyitools.com](mailto:selena.zhong@fuyitools.com)  
Web: [www.fuyitools.com](http://www.fuyitools.com)

Address:  
No.7 Yangguang Road  
Linpu Industrial Area  
Xiaoshan Hangzhou  
Zhejiang China

**HANGZHOU FUYI TOOLS CO.,LTD**



## Company Profile

Hangzhou Fuyi Tools Co.,Ltd is a manufacturer who professionally produce portable socket fusion welding machines , electrofusion welding machines , bench socket fusion welding machines , all kinds sockets and special tools for PPR/HDPE pipes and fittings.

Stable temperature control system is favored by more and more customers. The products sell good in European , Russia, American , Mexico , Chile , Southeast Asia etc.

Full range size socket fusion welding machines and different design help you meet different customer's demand.

There are two series socket fusion welding machine in FUYI TOOLS. One is constant temperature socket fusion welding machine , the other is digital socket fusion welding machine.

Constant temperature socket fusion welding machine special designing for PPR pipes and fittings. The fusion point of PPR pipes and fittings is 260°C. So the fixed temperature in the machine is 260°C . It's suitable for PP-R pipes and fittings. The item with FYF series.

Digital socket fusion welding machine that the temperature can display on screen , at the same time you can according to different pipe materials to adjust the temperature by yourself. It's suitable for joining a variety of thermoplastic pipes and fittings for different applications in the industry. The digital socket welding machine can weld HDPE , PP-R, PB etc. The item with FYD series.



## Contents

<b>Chapter1: Introduce</b>	<b>01-06</b>
<b>Chapter2: Digital Temperature Socket Fusion Welding Machine</b>	<b>07-38</b>
<b>Chapter 3: Fixed Temperature Socket Fusion Welding Machine</b>	<b>39-60</b>
<b>Chapter 4: Electrofusion Welding Machines</b>	<b>61&amp;62</b>
<b>Chapter 5: Tools for Electrofusion Welding Machine</b>	<b>63&amp;64</b>
<b>Chapter 6: Bench Socket Fusion Welding Machines</b>	<b>65</b>
<b>Chapter 7: Welding Tools &amp; Accessories</b>	<b>66-80</b>

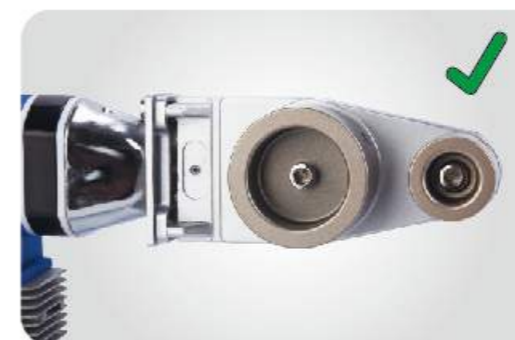
# Fusion Welding Machine



**Q: What's the fusion welding machine ?**

A: Fusion welding machine is the simplest and fastest method of connecting PPR PE etc plastic pipes and fittings.

**Q: How to use fusion welding machine ?**



Push the pipe and the fitting simultaneously into the heating tools of the corresponding size in accordance with working conditions as following ( Table 1) . After the heating , pull out the pipe and the fittings , and joint them immediately. Push the pipe without any rotation until it reaches the marked welding depth. During the jointing time the welded pipe and fitting have to remain fixed. The outer fusion seam must be inspected. After the joint is completely cooled, the connection is ready for use. Never use water cool the fusion welding machine.

**Table 1. Welding time and welding depth at air temperature 20°C**

External Diameter (mm)	Melting Depth (mm)		Heating Time (s)	Processing Time (s)	Cooling Time (min)
	A	B			
16	14.5	16.0	4	4	2
20	14.5	15.5	5	4	2
25	15.0	16.5	7	4	2
32	16.5	18.5	8	6	4
40	17.9	17.9	12	6	4
50	19.8	19.8	18	6	4
63	23.8	23.8	24	8	6
75	25.8	27.8	30	8	8
90	28.7	30.7	40	8	8
110	32.3	36.3	50	10	8
125	38.0	38.0	60	10	8
140	40.0	40.0	90	15	15
160	50.0	50.0	120	15	20

**Note:** If the surrounding temperature is lower than 5°C, the heating time should be extended 50%.

Other Factories

Fuyi Tools

Why other suppliers are abandoned ?



- 1.PVC Wire , at the same time it's short.
- 2.The sockets are thin. Recycled aluminum.  
The sockets coating easy to peel off.
- 3.on-off button
- 4.Short heating plate
- 5.The heating plate is too thin lead to cool down quickly.  
The surface heating plate polished surfaces. Polished surfaces always not flat lead to the sockets temperature uneven.
- 6.Poor radiator cause burns
- 7.Cann't sense the ambient temperature. The temperature of sockets are cooled down immediately affect by external environment such as (wind, rain). The temperature can't reach setting temperature again.
- 8.Thin metal case.



Why Choose FUYI TOOLS ?

- 1.Long rubber jacket power cord with VDE. Refused to leakage and short circuit.
- 2.Thickness sockets with DAIKIN Teflon coating.  
New ADC12 Aluminum
- 3.The temperature indicate on the digital display screen.
- 4.Longer heating plate.
- 5.Thicker heating plate.
- 6.The welding machine with one radiator and 3pcs heat filter easy to cool down after long times working.
- 7.Intelligent sensing of ambient temperature. The temperature of sockets are cooled down affect by external environment such as (wind, rain). FUYI TOOLS fusion welding machines with premium quality intelligent control system can reach the setting temperature soon.
- 8.Thick steel box
- 9.More comfortable nylon handles.



Digital temperature display fusion instruction



1, Setting temperature

Choose suitable pipe and fitting, set the suitable temperature before fusion.



2, Cutting the pipe

Cutting the necessary pipe length with the plastic pipe cutter.



3, Clearing the pipe

Clearing the fusion surface of pipe with alcohol.



4, Measuring fusion depth

Fusion depth in the pad from 16mm to 160mm. You can mark or draw the line by hole in pad.



5, Heating

Insert the pipe and fitting horizontally into the sockets. Heating time reference to table 1.



6, Connecting and cooling

Connect the heated pipe and fitting exactly and adjustment finish in 5s.

# FYD40



## APPLICATION AREA

Digital socket fusion tools are used for connecting PP-R, PE,PB,PVDF pipes and fittings.



OPTIONAL TABLE MOUNTING CLAMP

Double Color Handles Nylon And TPE Material, More Soft And Comfortable  
Double color handles can be option

# FYD40-1



Technical Data	FYD40
Rated Voltage:	110V/220V
Rated Frequency:	50/60Hz
Rated Power:	600W
Working Temp:	220°C-260°C
Temp.Tolerance:	≤2°C (professional test method)
Warning Temp:	set temperature +20°C
Environment Temperature:	-5°C-45°C
Working Range Φ mm:	20,25,32,40
Suit Material :	PP-R/PB/PE/PVDF
Net Weight(Set):	5.05KGS
PCS/Cartron:	4PCS
N.W/Cartons:	17.30KGS
G.W/Cartons:	18.30KGS
Cartons Size:	49x43.5x20CM

### Including the following accessories

- 1PC Fusion Welding Machine
- 1PC Floor Stand
- 1PC Metal Case
- 1PC Bag of Bolts and Hex Key Wrench
- 1PC Table Mounting Clamp (Optional)
- Sockets D20、 D25、 D32、 D40

# FYD63



## APPLICATION AREA

Digital socket fusion tools are used for connecting PP-R, PE,PB,PVDF pipes and fittings.



OPTIONAL TABLE MOUNTING CLAMP



# FYD63-1

Double Color Handles Nylon And TPE Material, More Soft And Comfortable  
Double color handles can be option



Technical Data	FYD63
Rated Voltage:	110V/220V
Rated Frequency:	50/60Hz
Rated Power:	800W
Working Temp:	220°C-260°C
Temp.Tolerance:	≤2°C(professional test method)
Warning Temp:	set temperature +20°C
Environment Temperature:	-5°C-45°C
Working Range Φ mm:	20,25,32,40 ,50,63
Suit Material :	PP-R/PB/PE/PVDF
Net Weight(Set):	7.96KGS
PCS/Cartron:	2PCS
N.W/Cartrons:	15.92KGS
G.W/Cartrons:	17.92KGS
Cartrons Size:	46.0x26.5x26.5CM
<b>Including the following accessories</b>	
1PC Fusion Welding Machine	
1PC Floor Stand	
1PC Metal Case	
1PC Bag of Bolts and Hex Key Wrench	
1PC Table Mounting Clamp (Optional)	
Sockets D20、 D25、 D32、 D40、 D50、 D63	

# FYD110



## APPLICATION AREA

Digital socket fusion tools are used for connecting PP-R, PE,PB,PVDF pipes and fittings.



Double color handles can be option

# FYD110-1



OPTIONAL TABLE MOUNTING CLAMP



Technical Data	FYD110
Rated Voltage:	110V/220V
Rated Frequency:	50Hz/60Hz
Rated Power:	1200W
Working Temp:	220°C-260°C
Temp.Tolerance:	≤2°C(professional test method)
Warning Temp:	set temperature +20°C
Environment Temperature:	-5°C-45°C
Working Range Ø mm:	75, 90, 110
Suit Material :	PP-R/PB/PE/PVDF
Net Weight(Set):	10.78KGS
PCS/Cartron:	2PCS
N.W/Cartons:	19.5KGS
G.W/Cartons:	21.5KGS
Cartons Size:	46.0x26.5x26.5CM

### Including the following accessories

- 1PC Fusion Welding Machine
- 1PC Floor Stand
- 1PC Metal Case
- 1PC Bag of Bolts and Hex Key Wrench
- 1PC Table Mounting Clamp (Optional)
- 1PC Reinforced Nylon Wrench (Optional)
- Sockets D75、 D90、 D110

# FYD160



Heater plate coating with teflon.  
It can be butt fusion directly and socket fusion.

## APPLICATION AREA

Digital socket fusion tools are used for connecting PP-R, PE,PB,PVDF pipes and fittings.



Double color handles can be option

# FYD160-1



OPTIONAL TABLE MOUNTING CLAMP



Technical Data	FYD160
Rated Voltage:	110V/220V
Rated Frequency:	50Hz/60Hz
Rated Power:	1800W
Working Temp:	220°C-260°C
Temp.Tolerance:	≤2°C(professional test method)
Warning Temp:	set temperature +20°C
Environment Temperature:	-5°C-45°C
Working Range Φ mm:	16-160MM
Suit Material :	PP-R/PB/PE/PVDF
Net Weight(Set):	7.20KGS
PCS/Carton:	2PCS
N.W/Cartons:	14.4KGS
G.W/Cartons:	15.4KGS
Cartons Size:	52X26X13CM

### Including the following accessories

- 1PC Fusion Welding Machine
- 1PC Floor Stand
- 1PC Metal Case
- 1PC Bag of Bolts and Hex Key Wrench
- 1PC Table Mounting Clamp (Optional)
- 1PC Reinforced Nylon Wrench (Optional)
- Sockets D20、 D25、 D32、 D40、 D50、 D63、 D75、 D90、 D110、 D125、 D140、 D160 (Optional)



# FYD200



Heater plate coating with teflon.  
It can be butt fusion directly and socket fusion.

## APPLICATION AREA

Digital socket fusion tools are used for connecting PP-R, PE,PB,PVDF pipes and fittings.



Double color handles can be option

# FYD200-1



OPTIONAL TABLE MOUNTING CLAMP



## Technical Data

Rated Voltage:	110V/220V
Rated Frequency:	50Hz/60Hz
Rated Power:	200W
Working Temp:	120°C-260°C
Temp.Tolerance:	≤2°C (professional test method)
Warning Temp:	set temperature +20°C
Environment Temperature:	-5°C-45°C
Working Range Φ mm:	16-160MM
Suit Material :	PP-R/PB/PE/PVDF
Net Weight(Set):	7.20KGS
PCS/Carton:	2PCS
N.W/Cartons:	
G.W/Cartons:	15.0KGS
Cartons Size:	16.0KGS

## Including the following accessories

- 1PC Fusion Welding Machine
- 1PC Floor Stand
- 1PC Metal Case
- 1PC Bag of Bolts and Hex Key Wrench
- 1PC Table Mounting Clamp (Optional)
- 1PC Reinforced Nylon Wrench (Optional)
- Sockets D20、D25、D32、D40、D50、D63、D75、D90、D110、D125、D140、D160 (Optional)

# FYDTC32



## APPLICATION AREA

Digital socket fusion tools are used for connecting PP-R, PE, PB, PVDF pipes and fittings.

## KEY FEATURES

- 1.You can according to different pipe material to adjust the corresponding temperature, the temperature indicate on the digital display screen. Increased flexibility and combination options for every day use.
- 2.Electronic intelligent control system , it can realize automatic temperature compensation.
- 3.Sockets with high quality PTFE coating , for longer lifetime and great fusion effect.
- 4.Reinforced nylon handles , it's more comfortable.
- 5.Heating interval signal lights.
- 6.Two kinds removable supporting stand is available at all times.
- 7.A set of dedicated wrench convenient to use and carry.
- 8.Thickened steel box , it will not broken after long time used.
- 9.In case the intelligent control device failure,there is the warning temperature.The warning temperature is based on setting temperature plus 30°C.When it happen,the heating panel will stop heating.( For example,if your setting temperature is 260°C, the warning temperature is 290°C ).



Technical Data	FYDTC32
Rated Voltage:	110V/220V
Rated Frequency:	50/60Hz
Rated Power:	600W
Working Temp:	220°C-260°C
Temp.Tolerance:	≤2°C (professional test method)
Warning Temp:	set temperature +20°C
Environment Temperature:	-5°C-45°C
Working Range $\Phi$ mm:	20,25,32,40
Suit Material :	PP-R/PB/PE/PVDF
Net Weight(Set):	5.05KGS
PCS/Cartron:	4PCS
N.W/Cartrons:	17.5 KGS
G.W/Cartrons:	18.5 KGS
Cartrons Size:	49x43.5x20CM

### Including the following accessories

1PC Fusion Welding Machine

1PC Floor Stand

1PC Metal Case

1PC Bag of Bolts and Hex Key Wrench

1PC Table Mounting Clamp (Optional)

Sockets D20、 D25、 D32、 D40



# FYDTC63



## APPLICATION AREA

Digital socket fusion tools are used for connecting PP-R, PE,PB,PVDF pipes and fittings.

## KEY FEATURES

- 1.You can according to different pipe material to adjust the corresponding temperature, the temperature indicate on the digital display screen. Increased flexibility and combination options for every day use.
- 2.Electronic intelligent control system , it can realize automatic temperature compensation.
- 3.Sockets with high quality PTFE coating , for longer lifetime and great fusion effect.
- 4.Reinforced nylon handles , it's more comfortable.
- 5.Heating interval signal lights.
- 6.Two kinds removable supporting stand is available at all times.
- 7.A set of dedicated wrench convenient to use and carry.
- 8.Thickened steel box , it will not broken after long time used.
- 9.In case the intelligent control device failure,there is the warning temperature.The warning temperature is based on setting temperature plus 30°C.When it happen,the heating panel will stop heating.( For example,if your setting temperature is 260°C, the warning temperature is 290°C ).



Technical Data	FYDTC63
Rated Voltage:	110V/220V
Rated Frequency:	50/60Hz
Rated Power:	800W
Working Temp:	220°C-260°C
Temp.Tolerance:	≤2°C(professional test method)
Warning Temp:	set temperature +20°C
Environment Temperature:	-5°C-45°C
Working Range Ø mm:	20,25,32,40 ,50,63
Suit Material :	PP-R/PB/PE/PVDF
Net Weight(Set):	7.96KGS
PCS/Carton:	2PCS
N.W/Cartons:	15.92KGS
G.W/Cartons:	17.92KGS
Cartons Size:	46.0x26.5x26.5CM

### Including the following accessories

1PC Fusion Welding Machine

1PC Floor Stand

1PC Metal Case

1PC Bag of Bolts and Hex Key Wrench

1PC Table Mounting Clamp (Optional)

Sockets D20、 D25、 D32、 D40、 D50、 D63



# FYDTC110



## APPLICATION AREA

Digital socket fusion tools are used for connecting PP-R, PE,PB,PVDF pipes and fittings.

## KEY FEATURES

- 1.You can according to different pipe material to adjust the corresponding temperature, the temperature indicate on the digital display screen. Increased flexibility and combination options for every day use.
- 2.Electronic intelligent control system , it can realize automatic temperature compensation.
- 3.Sockets with high quality PTFE coating , for longer lifetime and great fusion effect.
- 4.Reinforced nylon handles , it's more comfortable.
- 5.Heating interval signal lights.
- 6.Two kinds removable supporting stand is available at all times.
- 7.A set of dedicated wrench convenient to use and carry.
- 8.Thickened steel box , it will not broken after long time used.
- 9.In case the intelligent control device failure,there is the warning temperature.The warning temperature is based on setting temperature plus 30°C.When it happen,the heating panel will stop heating.( For example,if your setting temperature is 260°C, the warning temperature is 290°C ).



Technical Data	FYDTC110
Rated Voltage:	110V/220V
Rated Frequency:	50Hz/60Hz
Rated Power:	1200W
Working Temp:	220°C-260°C
Temp.Tolerance:	≤2°C(professional test method)
Warning Temp:	set temperature +20°C
Environment Temperature:	-5°C-45°C
Working Range Ø mm:	75, 90, 110
Suit Material :	PP-R/PB/PE/PVDF
Net Weight(Set):	10.78KGS
PCS/Carton:	2PCS
N.W/Cartons:	19.5KGS
G.W/Cartons:	21.5KGS
Cartons Size:	46.0x26.5x26.5CM

### Including the following accessories

- 1PC Fusion Welding Machine
- 1PC Floor Stand
- 1PC Metal Case
- 1PC Bag of Bolts and Hex Key Wrench
- 1PC Table Mounting Clamp (Optional)
- 1PC Reinforced Nylon Wrench (Optional)
- Sockets D75、 D90、 D110



# FYDTC160



## APPLICATION AREA

Digital socket fusion tools are used for connecting PP-R, PE,PB,PVDF pipes and fittings.

## KEY FEATURES

- 1.You can according to different pipe material to adjust the corresponding temperature, the temperature indicate on the digital display screen. Increased flexibility and combination options for every day use.
- 2.Electronic intelligent control system , it can realize automatic temperature compensation.
- 3.Sockets with high quality PTFE coating , for longer lifetime and great fusion effect.
- 4.Reinforced nylon handles , it's more comfortable.
- 5.Heating interval signal lights.
- 6.Two kinds removable supporting stand is available at all times.
- 7.A set of dedicated wrench convenient to use and carry.
- 8.Thickened steel box , it will not broken after long time used.
- 9.In case the intelligent control device failure,there is the warning temperature.The warning temperature is based on setting temperature plus 30°C.When it happen,the heating panel will stop heating.( For example,if your setting temperature is 260°C, the warning temperature is 290°C ).



## Technical Data

## FYDTC160

Rated Voltage:	110V/220V
Rated Frequency:	50Hz/60Hz
Rated Power:	1800W
Working Temp:	220°C-260°C
Temp.Tolerance:	≤2°C(professional test method)
Warning Temp:	set temperature +20°C
Environment Temperature:	-5°C-45°C
Working Range Φ mm:	16-160MM
Suit Material :	PP-R/PB/PE/PVDF
Net Weight(Set):	7.20KGS
PCS/Carton:	2PCS
N.W/Cartons:	14.4KGS
G.W/Cartons:	15.4KGS
Cartons Size:	52X26X13CM

## Including the following accessories

1PC Fusion Welding Machine

1PC Floor Stand

1PC Metal Case

1PC Bag of Bolts and Hex Key Wrench

1PC Table Mounting Clamp (Optional)

1PC Reinforced Nylon Wrench (Optional)

Sockets D20、 D25、 D32、 D40、 D50、 D63、 D75、 D90、 D110、 D125、 D140、 D160 (Optional)



# FYDBY32



OPTIONAL TABLE MOUNTING CLAMP

## APPLICATION AREA

Digital socket fusion tools are used for connecting PP-R, PE,PB,PVDF pipes and fittings.



Double Color Handles Nylon And TPE Material, More Soft And Comfortable  
Double color handles can be option

# FYDBY32-1



Technical Data	FYDBY32
Rated Voltage:	110V/220V
Rated Frequency:	50/60Hz
Rated Power:	600W
Working Temp:	220°C-260°C
Temp.Tolerance:	≤2°C(professional test method)
Warning Temp:	set temperature +20°C
Environment Temperature:	-5°C-45°C
Working Range Φ mm:	20,25,32,40
Suit Material :	PP-R/PB/PE/PVDF
Net Weight(Set):	5.05KGS
PCS/Carton:	4PCS
N.W/Cartons:	16.00KGS
G.W/Cartons:	17.0KGS
Cartons Size:	49.0x43.5x20CM

- Including the following accessories**
- 1PC Fusion Welding Machine
  - 1PC Floor Stand
  - 1PC Metal Case
  - 1PC Bag of Bolts and Hex Key Wrench
  - 1PC Table Mounting Clamp (Optional)
  - Sockets D20、 D25、 D32

# FYDBY63



OPTIONAL TABLE MOUNTING CLAMP

## APPLICATION AREA

Digital socket fusion tools are used for connecting PP-R, PE,PB,PVDF pipes and fittings.



Double Color Handles Nylon And TPE Material, More Soft And Comfortable  
Double color handles can be option

# FYDBY63-1



Technical Data	FYDBY63
Rated Voltage:	110V/220V
Rated Frequency:	50/60Hz
Rated Power:	800W
Working Temp:	220°C-260°C
Temp.Tolerance:	≤2°C (professional test method)
Warning Temp:	set temperature +20°C
Environment Temperature:	-5°C-45°C
Working Range Φ mm:	20,25,32,40 ,50,63
Suit Material :	PP-R/PB/PE/PVDF
Net Weight(Set):	7.96KGS
PCS/Carton:	4PCS
N.W/Cartons:	23.50KGS
G.W/Cartons:	24.50KGS
Cartons Size:	49x43.5x20CM

### Including the following accessories

- 1PC Fusion Welding Machine
- 1PC Floor Stand
- 1PC Metal Case
- 1PC Bag of Bolts and Hex Key Wrench
- 1PC Table Mounting Clamp (Optional)
- Sockets D20、 D25、 D32、 D40、 D50、 D63



## FYDLL32



OPTIONAL TABLE MOUNTING CLAMP

## APPLICATION AREA

Digital socket fusion tools are used for connecting PP-R, PE,PB,PVDF pipes and fittings.

## KEY FEATURES

- 1.You can according to different pipe material to adjust the corresponding temperature, the temperature indicate on the digital display screen. Increased flexibility and combination options for every day use.
- 2.Electronic intelligent control system , it can realize automatic temperature compensation.
- 3.Sockets with high quality PTFE coating , for longer lifetime and great fusion effect.
- 4.Reinforced nylon handles , it's more comfortable.
- 5.Heating interval signal lights.
- 6.Two kinds removable supporting stand is available at all times.
- 7.A set of dedicated wrench convenient to use and carry.
- 8.Thickened steel box , it will not broken after long time used.
- 9.In case the intelligent control device failure,there is the warning temperature.The warning temperature is based on setting temperature plus 30°C.When it happen,the heating panel will stop heating.( For example,if your setting temperature is 260°C, the warning temperature is 290°C ).



Technical Data	FYDLL32
Rated Voltage:	110V/220V
Rated Frequency:	50/60Hz
Rated Power:	600W
Working Temp:	220°C-260°C
Temp.Tolerance:	≤2°C(professional test method)
Warning Temp:	set temperature +20°C
Environment Temperature:	-5°C-45°C
Working Range Φ mm:	20,25,32,40
Suit Material :	PP-R/PB/PE/PVDF
Net Weight(Set):	5.05KGS
PCS/Carton:	2PCS
N.W/Cartons:	10.10KGS
G.W/Cartons:	12.10KGS
Cartons Size:	44.0x25.5x19.0CM

## Including the following accessories

- 1PC Fusion Welding Machine
- 1PC Floor Stand
- 1PC Metal Case
- 1PC Bag of Bolts and Hex Key Wrench
- 1PC Table Mounting Clamp (Optional)
- Sockets D20、 D25、 D32





# FYDLL63



## APPLICATION AREA

Digital socket fusion tools are used for connecting PP-R, PE,PB,PVDF pipes and fittings.

## KEY FEATURES

- 1.You can according to different pipe material to adjust the corresponding temperature, the temperature indicate on the digital display screen. Increased flexibility and combination options for every day use.
- 2.Electronic intelligent control system , it can realize automatic temperature compensation.
- 3.Sockets with high quality PTFE coating , for longer lifetime and great fusion effect.
- 4.Reinforced nylon handles , it's more comfortable.
- 5.Heating interval signal lights.
- 6.Two kinds removable supporting stand is available at all times.
- 7.A set of dedicated wrench convenient to use and carry.
- 8.Thickened steel box , it will not broken after long time used.
- 9.In case the intelligent control device failure,there is the warning temperature.The warning temperature is based on setting temperature plus 30°C.When it happen,the heating panel will stop heating.( For example,if your setting temperature is 260°C, the warning temperature is 290°C ).



Technical Data	FYDLL63
Rated Voltage:	110V/220V
Rated Frequency:	50/60Hz
Rated Power:	800W
Working Temp:	220°C-260°C
Temp.Tolerance:	≤2°C (professional test method)
Warning Temp:	set temperature +20°C
Environment Temperature:	-5°C-45°C
Working Range Ø mm:	20,25,32,40 ,50,63
Suit Material :	PP-R/PB/PE/PVDF
Net Weight(Set):	7.96KGS
PCS/Carton:	2PCS
N.W/Cartons:	15.92KGS
G.W/Cartons:	17.92KGS
Cartons Size:	46.0x26.5x26.5CM

### Including the following accessories

- 1PC Fusion Welding Machine
- 1PC Floor Stand
- 1PC Metal Case
- 1PC Bag of Bolts and Hex Key Wrench
- 1PC Table Mounting Clamp (Optional)
- Sockets D20、 D25、 D32、 D40、 D50、 D63



## FYDLL110



## APPLICATION AREA

Digital socket fusion tools are used for connecting PP-R, PE,PB,PVDF pipes and fittings.

## KEY FEATURES

- 1.You can according to different pipe material to adjust the corresponding temperature, the temperature indicate on the digital display screen. Increased flexibility and combination options for every day use.
- 2.Electronic intelligent control system , it can realize automatic temperature compensation.
- 3.Sockets with high quality PTFE coating , for longer lifetime and great fusion effect.
- 4.Reinforced nylon handles , it's more comfortable.
- 5.Heating interval signal lights.
- 6.Two kinds removable supporting stand is available at all times.
- 7.A set of dedicated wrench convenient to use and carry.
- 8.Thickened steel box , it will not broken after long time used.
- 9.In case the intelligent control device failure,there is the warning temperature.The warning temperature is based on setting temperature plus 30°C.When it happen,the heating panel will stop heating.( For example,if your setting temperature is 260°C, the warning temperature is 290°C ).



Technical Data	FYDLL110
Rated Voltage:	110V/220V
Rated Frequency:	50Hz/60Hz
Rated Power:	1200W
Working Temp:	220°C-260°C
Temp.Tolerance:	≤2°C(professional test method)
Warning Temp:	set temperature +20°C
Environment Temperature:	-5°C-45°C
Working Range Φ mm:	75, 90, 110
Suit Material :	PP-R/PB/PE/PVDF
Net Weight(Set):	10.78KGS
PCS/Carton:	2PCS
N.W/Cartons:	19.5KGS
G.W/Cartons:	21.5KGS
Cartons Size:	46.0x26.5x26.5CM

## Including the following accessories

1PC Fusion Welding Machine

1PC Floor Stand

1PC Metal Case

1PC Bag of Bolts and Hex Key Wrench

1PC Table Mounting Clamp (Optional)

1PC Reinforced Nylon Wrench (Optional)

Sockets D75、 D90、 D110



# FYDTB32



## APPLICATION AREA

Digital socket fusion tools are used for connecting PP-R, PE,PB,PVDF pipes and fittings.

## KEY FEATURES

- 1.You can according to different pipe material to adjust the corresponding temperature, the temperature indicate on the digital display screen. Increased flexibility and combination options for every day use.
- 2.Electronic intelligent control system , it can realize automatic temperature compensation.
- 3.Sockets with high quality PTFE coating , for longer lifetime and great fusion effect.
- 4.Reinforced nylon handles, it's more comfortable.
- 5.Heating interval signal lights.
- 6.A set of dedicated wrench convenient to use and carry.
- 7.Thickened steel box , it will not broken after long time used.
- 8.In case the intelligent control device failure,there is the warning temperature.The warning temperature is based on setting temperature plus 30°C.When it happen,the heating panel will stop heating.( For example,if your setting temperature is 260°C, the warning temperature is 290°C ).



Technical Data	FYDTB32
Rated Voltage:	110V/220V
Rated Frequency:	50/60Hz
Rated Power:	700W
Working Temp:	220°C-260°C
Temp.Tolerance:	≤2°C(professional test method)
Warning Temp:	set temperature +20°C
Environment Temperature:	-5°C-45°C
Working Range Ø mm:	20,25,32
Suit Material :	PP-R/PB/PE/PVDF
Net Weight(Set):	4.0KGS
PCS/Carton:	4PCS
N.W/Cartons:	16.0KGS
G.W/Cartons:	17.0KGS
Cartons Size:	44.0x25.5x19.0CM

### Including the following accessories

1PC Fusion Welding Machine

1PC Floor Stand

1PC Metal Case

1PC Bag of Bolts and Hex Key Wrench

Sockets D20、 D25、 D32

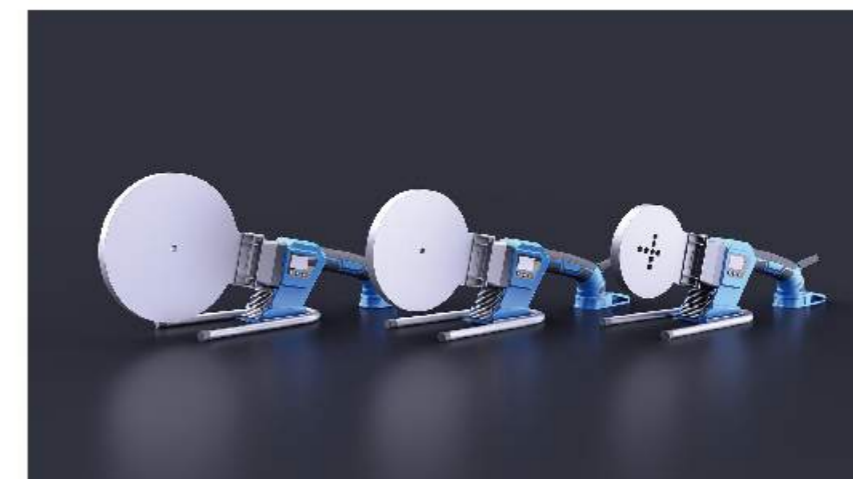


# FYDCX32

# New Design



Technical Data	FYDCX32
Rated Voltage:	110V/220V
Rated Frequency:	50/60Hz
Rated Power:	600W
Temp.Tolerance:	≤2°C
Warning Temp:	290°C
Environment Temperature:	-5°C -45°C
Working Range $\Phi$ mm:	20,25,32 mm
Suit Material :	PP-R /PB/PE/PVDF
PCS/Carton:	4PCS
N.W/Carton:	19KGS
G.W/Carton:	20KGS
Carton Size:	41x34x20CM
<b>Including the following accessories</b>	
	1PC Fusion Welding Machine
	1PC Floor Stand
	1PC Metal Case
	2PCS Screw
	3PCS Sockets D20.D25 .D32



## Fixed Temperature Fusion Welding Instruction



### 1, Preparation

Choose suitable machine , sockets, pipe and fitting. Prepare cutter, marking pen, tape measure , a piece of fabric or napkin.



### 2, Cutting the pipe

Cutting the necessary pipe length with the plastic pipe cutter.



### 3, Clearing the pipe

Clearing the fusion surface of pipe with alcohol.



### 4, Measuring fusion depth

Fusion depth in the pad from 16mm to 160mm. You can mark or draw the line by hole in pad.



### 5, Heating

Insert the pipe and fitting horizontally into the sockets. Heating time reference to table 1.



### 6, Connecting and cooling

Connect the heated pipe and fitting exactly and adjustment finish in 5s.

Fixed Temperature Fusion Welding Machine



# FYF40



## APPLICATION AREA

Fixed temperature fusion tools are used for connecting PP-R pipes and fittings.

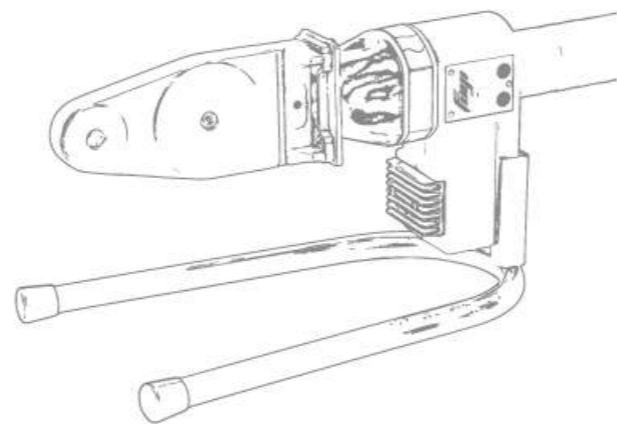


OPTIONAL TABLE MOUNTING CLAMP



Double Color Handles Nylon And TPE Material, More Soft And Comfortable  
Double color handles can be option

# FYF40-1



Technical Data	FYF40
Rated Voltage:	110V/220V
Rated Frequency:	50/60Hz
Rated Power:	600W
Working Temp:	260°C
Temp.Tolerance:	≤2°C (professional test method)
Warning Temp:	295°C
Environment Temperature:	-5°C-45°C
Working Range Ø mm:	20,25,32,40
Suit Material :	PP-R
Net Weight(Set):	5.05KGS
PCS/Carton:	4PCS
N.W/Cartons:	17.3KGS
G.W/Cartons:	18.3KGS
Cartons Size:	49x43.5x20CM

## Including the following accessories

- 1PC Fusion Welding Machine
- 1PC Floor Stand
- 1PC Metal Case
- 1PC Bag of Bolts and Hex Key Wrench
- 1PC Table Mounting Clamp (Optional)
- Sockets D20、D25、D32、D40

# FYF63



## APPLICATION AREA

Fixed temperature fusion tools are used for connecting PP-R pipes and fittings.

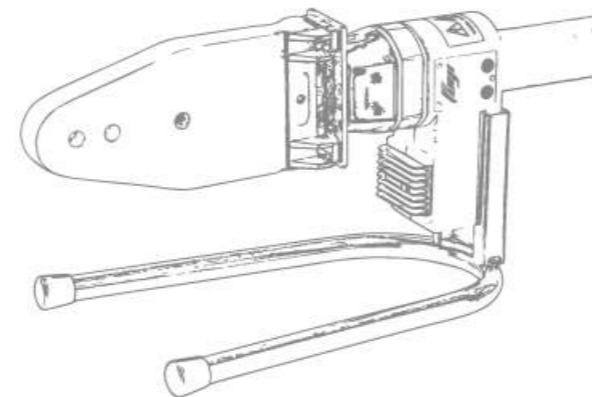


OPTIONAL TABLE MOUNTING CLAMP



Double Color Handles Nylon And TPE Material, More Soft And Comfortable  
Double color handles can be option

# FYF63-1



Technical Data	FYF63
Rated Voltage:	110V/220V
Rated Frequency:	50/60Hz
Rated Power:	800W
Working Temp:	260°C
Temp.Tolerance:	≤2°C (professional test method)
Warning Temp:	295°C
Environment Temperature:	-5°C-45°C
Working Range Ø mm:	20,25,32,40,50,63
Suit Material :	PP-R
Net Weight(Set):	7.96KGS
PCS/Carton:	2PCS
N.W/Cartons:	15.92KGS
G.W/Cartons:	17.92KGS
Cartons Size:	46.0x26.5x26.5CM

### Including the following accessories

- 1PC Fusion Welding Machine
- 1PC Floor Stand
- 1PC Metal Case
- 1PC Bag of Bolts and Hex Key Wrench
- 1PC Table Mounting Clamp (Optional)
- Sockets D20、 D25、 D32、 D40、 D50、 D63

# FYF110



## APPLICATION AREA

Fixed temperature fusion tools are used for connecting PP-R pipes and fittings.

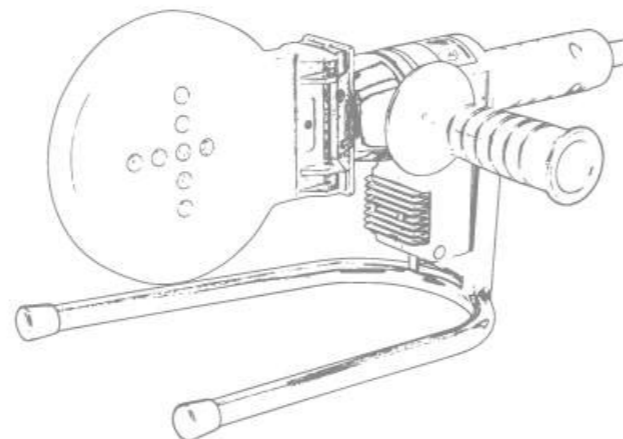


Double color handles can be option

# FYF110-1



OPTIONAL TABLE MOUNTING CLAMP



Technical Data	FYF110
Rated Voltage:	110V/220V
Rated Frequency:	50/60Hz
Rated Power:	1200W
Working Temp:	260°C
Temp.Tolerance:	≤2°C(professional test method)
Warning Temp:	295°C
Environment Temperature:	-5°C-45°C
Working Range Ø mm:	75,90,110
Suit Material :	PP-R
Net Weight(Set):	10.78KGS
PCS/Carton:	2PCS
N.W/Cartons:	19.5KGS
G.W/Cartons:	21.5KGS
Cartons Size:	46.0x26.5x26.5CM

## Including the following accessories

- 1PC Fusion Welding Machine
- 1PC Floor Stand
- 1PC Metal Case
- 1PC Bag of Bolts and Hex Key Wrench
- 1PC Table Mounting Clamp (Optional)
- 1PC Reinforced Nylon Wrench (Optional)
- Sockets D75、 D90、 D110



# FYFBY32



## APPLICATION AREA

Fixed temperature fusion tools are used for connecting PP-R pipes and fittings.

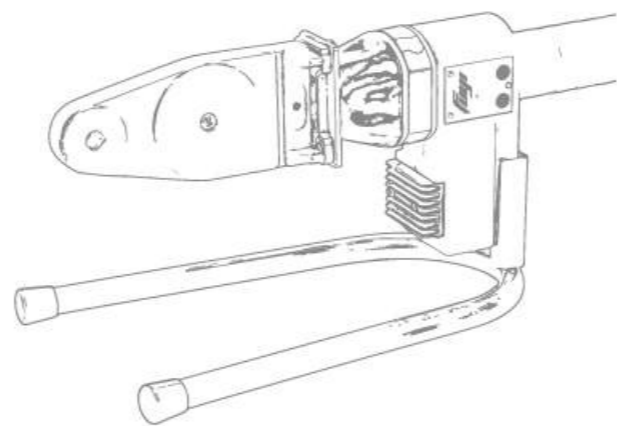


OPTIONAL TABLE MOUNTING CLAMP



Double Color Handles Nylon And TPE Material, More Soft And Comfortable  
Double color handles can be option

# FYFBY32-1



Technical Data	FYFBY32
Rated Voltage:	110V/220V
Rated Frequency:	50/60Hz
Rated Power:	600W
Working Temp:	260°C
Temp.Tolerance:	≤2°C (professional test method)
Warning Temp:	295°C
Environment Temperature:	-5°C-45°C
Working Range Φ mm:	20,25,32,40
Suit Material :	PP-R
Net Weight(Set):	5.05KGS
PCS/Carton:	4PCS
N.W/Cartons:	16.00KGS
G.W/Cartons:	17.00KGS
Cartons Size:	49x43.5x20CM

## Including the following accessories

- 1PC Fusion Welding Machine
- 1PC Floor Stand
- 1PC Metal Case
- 1PC Bag of Bolts and Hex Key Wrench
- 1PC Table Mounting Clamp (Optional)
- Sockets D20、D25、D32



# FYFBY63



### APPLICATION AREA

Fixed temperature fusion tools are used for connecting PP-R pipes and fittings.

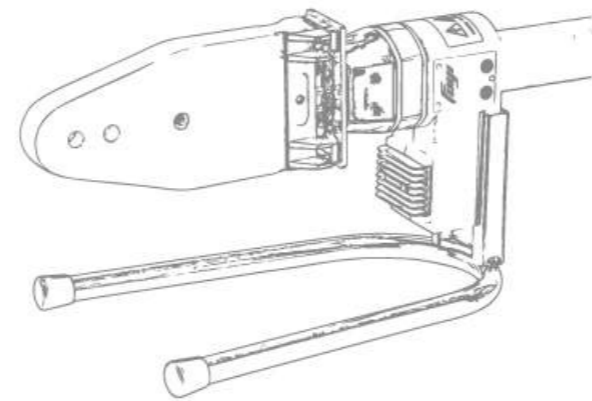


OPTIONAL TABLE MOUNTING CLAMP



Double Color Handles Nylon And TPE Material, More Soft And Comfortable  
Double color handles can be option

# FYFBY63-1



Technical Data	FYFBY63
Rated Voltage:	110V/220V
Rated Frequency:	50/60Hz
Rated Power:	800W
Working Temp:	260°C
Temp.Tolerance:	≤2°C(professional test method)
Warning Temp:	295°C
Environment Temperature:	-5°C-45°C
Working Range Φ mm:	20,25,32,40,50,63
Suit Material :	PP-R
Net Weight(Set):	7.96KGS
PCS/Carton:	4PCS
N.W/Cartons:	23.50KGS
G.W/Cartons:	24.50KGS
Cartons Size:	49x43.5x20CM
<b>Including the following accessories</b>	
1PC Fusion Welding Machine	
1PC Floor Stand	
1PC Metal Case	
1PC Bag of Bolts and Hex Key Wrench	
1PC Table Mounting Clamp (Optional)	
Sockets D20、 D25、 D32、 D40、 D50、 D63	



# FYFLL32



OPTIONAL TABLE MOUNTING CLAMP

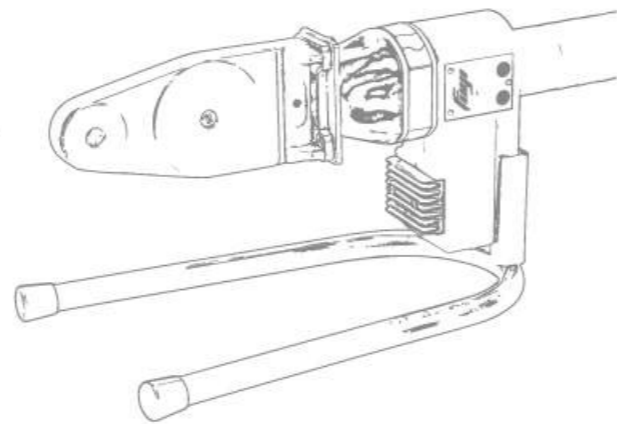
## APPLICATION AREA

Fixed temperature fusion tools are used for connecting PP-R pipes and fittings.

## KEY FEATURES

- 1.Electronic constant temperature controller and indicating light.
- 2.Sockets with high quality PTFE coating, for longer lifetime and great fusion effect.
- 3.Reinforced nylon handle, it's more comfortable.
- 4.Two kinds removable supporting stand is available at all times.
- 5.Thickened steel box, it will not broke after long time used.

Double Color Handles Nylon And TPE Material, More Soft And Comfortable  
Double color handles can be option



Technical Data	FYFLL32
Rated Voltage:	110V/220V
Rated Frequency:	50/60Hz
Rated Power:	600W
Working Temp:	260°C
Temp.Tolerance:	≤2°C(professional test method)
Warning Temp:	295°C
Environment Temperature:	-5°C-45°C
Working Range Φ mm:	20,25,32,40
Suit Material :	PP-R
Net Weight(Set):	5.05KGS
PCS/Carton:	4PCS
N.W/Cartons:	14.50KGS
G.W/Cartons:	15.50KGS
Cartons Size:	44x41x19CM

### Including the following accessories

- 1PC Fusion Welding Machine
- 1PC Floor Stand
- 1PC Metal Case
- 1PC Bag of Bolts and Hex Key Wrench
- 1PC Table Mounting Clamp (Optional)
- Sockets D20、 D25、 D32



# FYFLL63



OPTIONAL TABLE MOUNTING CLAMP

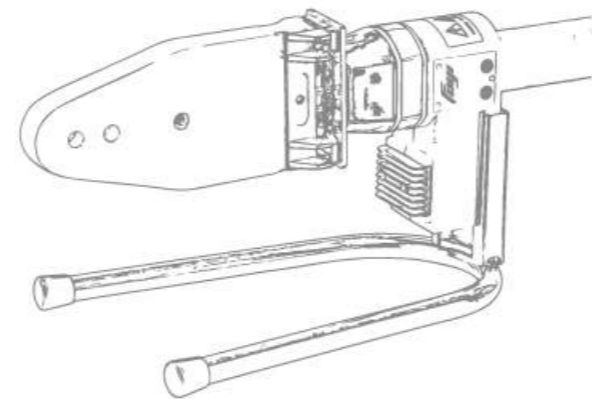
## APPLICATION AREA

Fixed temperature fusion tools are used for connecting PP-R pipes and fittings.

## KEY FEATURES

- 1. Electronic constant temperature controller and indicating light.
- 2. Sockets with high quality PTFE coating, for longer lifetime and great fusion effect.
- 3. Reinforced nylon handle, it's more comfortable.
- 4. Two kinds removable supporting stand is available at all times.
- 5. Thickened steel box, it will not broke after long time used.

Double Color Handles Nylon And TPE Material, More Soft And Comfortable  
Double color handles can be option



Technical Data	FYFLL63
Rated Voltage:	110V/220V
Rated Frequency:	50/60Hz
Rated Power:	800W
Working Temp:	260°C
Temp.Tolerance:	≤2°C (professional test method)
Warning Temp:	295°C
Environment Temperature:	-5°C-45°C
Working Range Φ mm:	20,25,32,40,50,63
Suit Material :	PP-R
Net Weight(Set):	7.96KGS
PCS/Carton:	4PCS
N.W/Cartons:	20.40KGS
G.W/Cartons:	21.40KGS
Cartons Size:	44x41x19CM
<b>Including the following accessories</b>	
1PC Fusion Welding Machine	
1PC Floor Stand	
1PC Metal Case	
1PC Bag of Bolts and Hex Key Wrench	
1PC Table Mounting Clamp (Optional)	
Sockets D20、D25、D32、D40、D50、D63	



# FYFLL110



OPTIONAL TABLE MOUNTING CLAMP

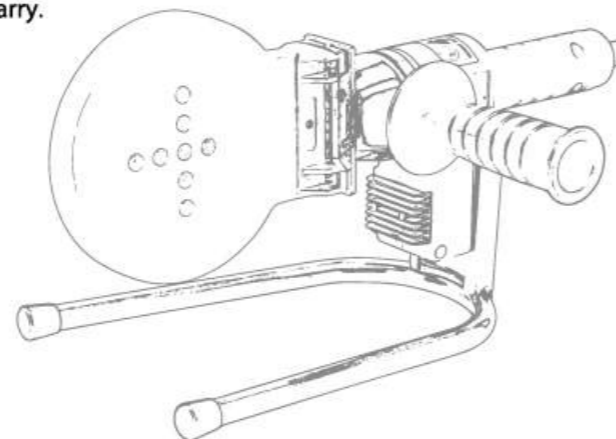
## APPLICATION AREA

Fixed temperature fusion tools are used for connecting PP-R pipes and fittings.

## KEY FEATURES

- 1. Electronic constant temperature controller and indicating light.
- 2. A set of dedicated nylon wrench, more convenient to use and carry.
- 3. Sockets with high quality PTFE coating, for longer lifetime and great fusion effect.
- 4. Reinforced nylon handle, it's more comfortable.
- 5. Two kinds removable supporting stand is available at all times.
- 6. Thickened steel box, it will not broke after long time used.

Double Color Handles Nylon And TPE Material, More Soft And Comfortable  
Double color handles can be option



Technical Data	FYFLL110
Rated Voltage:	110V/220V
Rated Frequency:	50/60Hz
Rated Power:	1200W
Working Temp:	260°C
Temp.Tolerance:	≤2°C (professional test method)
Warning Temp:	295°C
Environment Temperature:	-5°C-45°C
Working Range Φ mm:	75,90,110
Suit Material :	PP-R
Net Weight(Set):	10.78KGS
PCS/Carton:	2PCS
N.W/Cartons:	19.5KGS
G.W/Cartons:	21.5KGS
Cartons Size:	46.0x26.5x26.5CM

### Including the following accessories

- 1PC Fusion Welding Machine
- 1PC Floor Stand
- 1PC Metal Case
- 1PC Bag of Bolts and Hex Key Wrench
- 1PC Table Mounting Clamp (Optional)
- 1PC Reinforced Nylon Wrench (Optional)
- Sockets D75、D90、D110



# FYFTB32

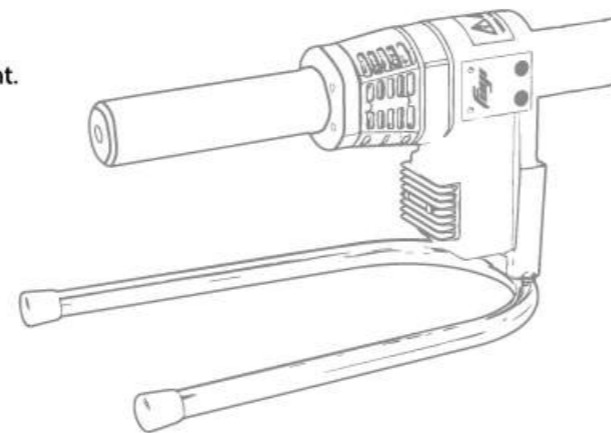


## APPLICATION AREA

Fixed temperature fusion tools are used for connecting PP-R pipes and fittings.

## KEY FEATURES

- 1. Electronic constant temperature controller and indicating light.
- 2. Sockets with high quality PTFE coating, for longer lifetime and great fusion effect.
- 3. Reinforced nylon handle, it's more comfortable.
- 4. Thickened steel box, it will not broke after long time used.



Double color handles can be option



## Technical Data

## FYFTB32

Rated Voltage:	110V/220V
Rated Frequency:	50/60Hz
Rated Power:	700W
Working Temp:	260°C
Temp.Tolerance:	≤2°C (professional test method)
Environment Temperature:	-5°C-45°C
Working Range $\Phi$ mm:	20,25,32
Suit Material :	PP-R
Net Weight(Set):	4.0KGS
PCS/Carton:	4PCS
N.W/Cartons:	16.0KGS
G.W/Cartons:	17.0KGS
Cartons Size:	44.0x25.5x19.0CM

## Including the following accessories

1PC Fusion Welding Machine

1PC Floor Stand

1PC Metal Case

1PC Bag of Bolts and Hex Key Wrench

Sockets D20、D25、D32

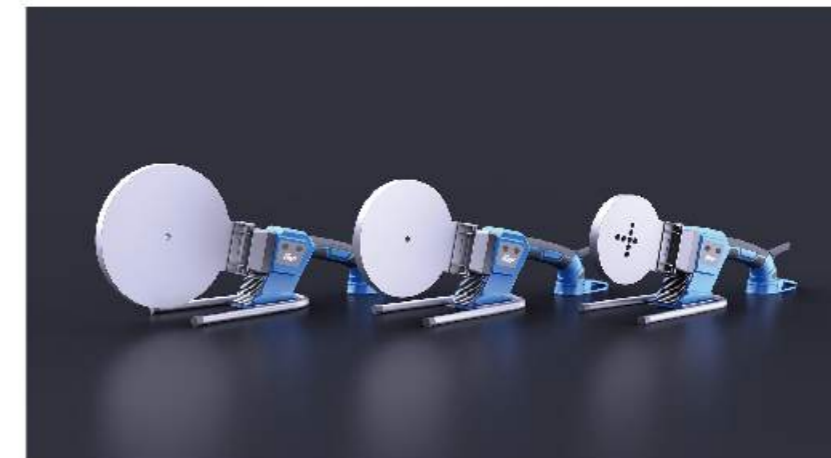


# FYFCX32

# New design



Technical Data	FYFCX32
Rated Voltage:	110V/220V
Rated Frequency:	50/60Hz
Rated Power:	600W
Working Temp:	260 °C
Temp.Tolerance:	≤2°C
Warning Temp:	290°C
Environment Temperature:	-5°C -45°C
Working Range Φ mm:	20,25,32 mm
Suit Material :	PP-R
PCS/Carton:	4PCS
N.W/Carton:	19KGS
G.W/Carton:	20KGS
Carton Size:	41x34x20CM
<b>Including the following accessories</b>	
	1PC Fusion Welding Machine
	1PC Floor Stand
	1PC Metal Case
	2PCS Screw
	3PCS Sockets D20.D25 .D32



# FYEFM-200



1. Welding Connectors
2. Barcode reader
3. Pipe scraper
4. Bag
5. Printer

# FYEFM-315



Technical Data	FYEFM-315
Input Voltage:	AC 200-240
Input Frequency:	50-60Hz
Output Voltage:	10-55V
Output Current:	DC2-60A
Nominal Power:	2500 W
Record Storage:	3200PCS
Weldable Materials:	PP-R/PP/HDPE
Weight:	12.4KGS
Dimensions(WXDXH):	35x32.5x26CM



# Electrofusion Pipe Scraper



- Electrofusion pipe scraper is a professional tool for scraping the pipe surface before electrofusion . That will be inserted into electrical couplers or plug-in joints.
- There are two size , one is 110-200mm , the other is 160-400mm

Scraping Size:	110-200mm
Scraping Size Width:	129mm
Material:	Aluminum
QTY:	2PCS
N.W.:	10.10KGS
G.W.:	11.10KGS
Dimension:	44X31X31CM

Scraping Size:	160-400mm
Scraping Size Width:	150mm
Material:	Aluminum
QTY:	2PCS
O.W.:	16.50KGS
H.W.:	17.5KGS
Dimension:	79X40X40CM

# Rotary Pipe Cutter

There are two size , one is 160-250MM , the other is 225-315MM.

Item ANo.:	Cutting Size(mm)	N.W of each cutter (kg)	Package Type	Carton QTY(PCS)	N.W(KGS)	G.W.(KGS)	MEAS(CM)
FYC-113	160-250	14.3	Aluminum Case	1	14.30	15.30	50*50*20

Item ANo.:	Cutting Size(mm)	N.W of each cutter (kg)	Package Type	Carton QTY(PCS)	N.W(KGS)	G.W.(KGS)	MEAS(CM)
FYC-114	225-315	14.3	Aluminum Case	1	14.30	15.30	50*50*20



## New Design



- The bench socket fusion welding machines with elevator, it's convenient where you want to work.

Rated Voltage:	110V/220V
Rated Frequency:	50Hz/60Hz
Rated Power:	1800 W
Working Temperature:	220°C -290 °C
Warming Temperature:	295°C
Applicable Material:	PP-R/HDPE/PB/PP
Welding Diameter:	32mm -160 mm

- Include:
1. 1 workbench with socket fusion welding machine
  1. 1 elevator
  1. 1 pipe holder
  4. Sockets D75,D90,D110,D125,D160



The sockets & spigots package with paper box .



The sockets & spigots package with plastic box

Metric Size  
16mm , 20mm , 25mm, 32mm , 40mm, 50mm , 63mm , 75mm , 90mm, 110mm , 125mm , 140mm , 160 mm

Inch Size  
1/2" , 3/4" , 1" , 1-1/4" , 1-1/2" , 2" , 3" , 4"

## Repairing Sockets



- Item No.: FY-RPS-7
- Item No.: FY-RPS-9
- Item No.: FY-RPS-11



**Necessary Tools:**  
 Fusion welding machine, pipe cutter , electric drill ,  
 piece of fabric or napkin for degreasing , socket for  
 repair stick, repair stick with 7mm, 9mm and 11mm  
 diameter ends.

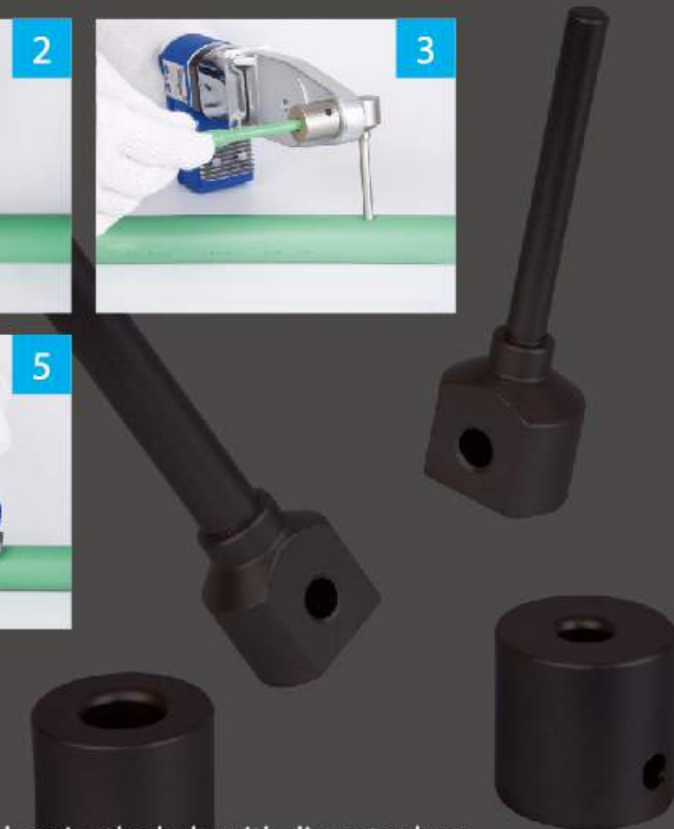


**▲ Pipe Hole Repair Set**  
 Pipe accidently damaged by drilling , nail or screws ,  
 it can be repaired by means of pipe repairing set. It  
 can reduced damage to walls or tiles.

## Repairing Steps As Following



1. Check the hole size. Damaged hole must be drilled again, the hole with diameter less than 6mm must be drilled with 6mm drill and the hole with diameter from 6.5mm to 7.5mm must be drilled with 8mm drill. The hole with diameter from 8.5mm to 9.5mm must be drilled with 10mm drill.
2. Clean repair position with the piece of fabric or napkin. The welding surface must clean and dry. Make sure that the water from the pipe is not in direct contact with the repairing area.
3. Choose the right repair stick ,wait the working temperature reach  $(260^{\circ} \pm 2^{\circ}C)$  . Push the repair stick into the sockets , the special sockets into the pipe. Heat the hole and the stick for 5 seconds.
4. Take out the repair stick and remove the welder from the pipe, insert the heated repair stick into the heated hole without turning. Wait for 15 seconds.
5. When the joint cools down, cut off the rest repair stick ad keep it. The repair stick can be used on next time.





▲ Special drill for perfect drilling of hole in the main pipe to mount weld-in saddles of all types. It's mainly used on PP-R pipe and HDPE pipe. This is necessary tool to created the correct hole for making branch on the pipe. Hole saw is a professional tool before saddle welding. Our hole saw diameter from 20mm to 110mm.

The package of Plastic Pipe Hole Saw: Plastic Box as following



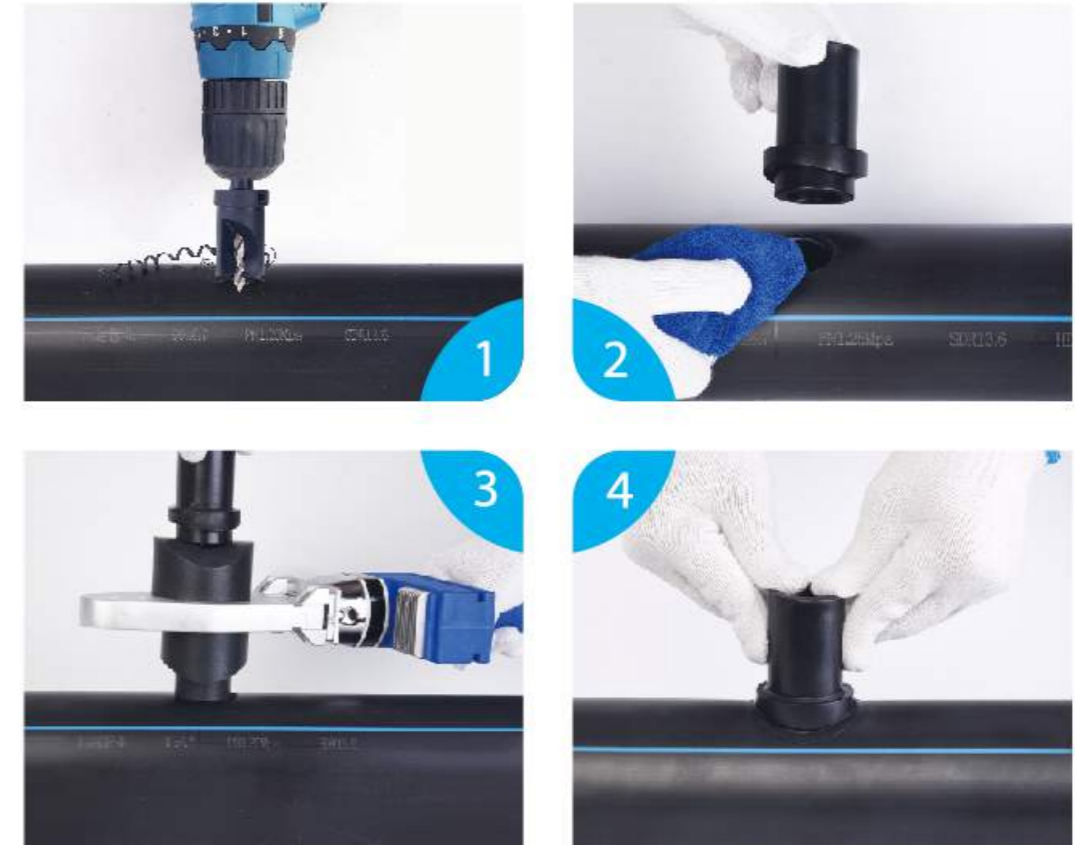
**Steps For Using This Hole Saw:**

1. Choose right hole saw according the diameter of the branch on the main pipe.
2. Fix the hole saw to the electric drill.
3. Drill the hole on the main pipe.
4. Pull the hole saw out and clean the surface of the hole.

Drill bit for weld-in saddles size as following:

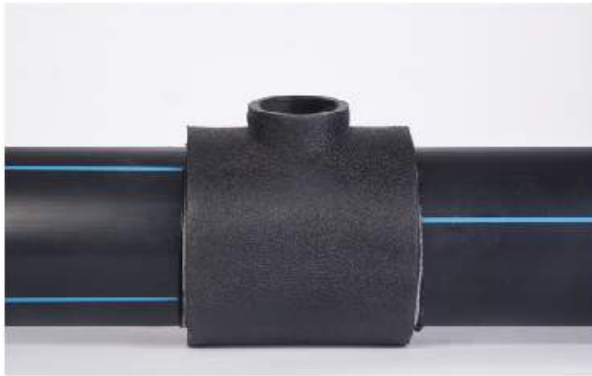
20mm	40mm	75mm
25mm	50mm	90mm
32mm	60mm	110mm

Weld-insaddle welding process as following:



1. Drilla hole though the pipe wall with the drill. Pay more attention on the depth of the drill.
2. Clean the hole with the piece of fabric or napkin. The welding surfaces have to be clean and dry. For stabi composite pipes remove the rest of the aluminum remaining at the drilled hole by chamfering the edge of the hole.
3. Once the socket welder is on, wait until the machine indicates the reaching of the working temperature ( $260^{\circ}\pm 2^{\circ}$ ). Push the saddle heating tool with the spigot into the pipe hole and the saddle into the other tool. Heat the pipe surface and the saddle for 30 seconds.
4. Once the hating process is over remove the socket welder ad push the saddles spigot into the pipe hole with a light pressure until the surface meet entirely. Keep pressing for about 15-20 seconds. Let the joint cool down for 20 minutes before making the pressure test.

Before



Now



There are a wide range of weld-in saddles, which are ideally suitable for pipes with outer diameter from 40mm to 315mm. Weld-in saddles are suitable for branching in existing connections and risers, construction of manifolds, a perfect substitution of reducing tees. They also allow to use additional components( thermometers , sleeves)



The size as following

40/20	40/25	63/32
50/20	50/25	75/32
63/20	63/25	90/32
75/20	75/25	110/32
90/20	90/25	125/32
110/20	110/25	160/32
125/20	125/25	200/32
160/20	160/25	250/32

90/40	110/50	125/63
110/40	125/50	160/63
125/40	160/50	200/63
160/40	200/50	250/63
200/40	250/50	315/63
250/40		

160/75	200/90	200/110
200/75	250/90	250/110
250/75	315/90	315/110
315/75		

250/125	315/160
315/125	

## Depth Gauge Tool

Depth Gauge Tool of Termofusor

Mark the welding depth on the joining end of pipe.

Most persons will use the tape measures. Firstly check the operation manual, according to the fusion standards table to measure the welding depth for socket fusion.

Somebody will use measuring pad , but most measuring pad in the market is flat , the size from 20mm to 125mm.

Now we according to fusion standards table to design the measuring pad. This depth gauge tool is designed according to the radin of ppr pipe. The size of ppr pipe from 16mm to 160mm. You can use a pencil or marking pen to mark and draw the line by hole in pad. It's more easy and quickly.


www.fuyitools.com

### 2 Steps

**1**

External diameter (mm)	Moulding depth (mm)		Heating time (s)	Processing time (s)	Cooling time (min)
	A	B			
16	14.5	20.0	4	4	2
20	18.5	25.5	5	4	2
25	23.0	30.5	7	4	2
32	28.5	38.5	8	6	4
40	37.0	47.0	12	6	4
50	46.0	56.0	15	6	4
63	58.0	68.0	24	8	6
75	68.0	77.0	30	8	8
90	80.0	89.0	40	8	8
110	98.0	108.0	50	10	8
125	110.0	120.0	60	10	8
140	125.0	135.0	80	15	15
160	145.0	155.0	100	15	20

**2**



### 1 Step



**Measuring pad is easier to use than measuring tape.**

## Heat Insulation Jacket for Welder



Heat Insulation Jacket for socket fusion welding machine

is made of fiberglass fabric coated aluminum foil , fiberglass mat and cotton fabric coated aluminum foil.

It with excellent thermal insulating properties , can be customized according to customer demand.

The heating plate and sockets are very hot after using , if you haven't time to wait for cooling down , you can put on this protector heat , it can insulate 500°C, so you can take it immediately.

There are two sizes (Small one and Big One )

Small One is for FYF32 , FYD32 , FYF40 , FYD40, FYF63 , FYD63

Big One is for FYF110, FYD110 , FYF160, FYD160



▪ **Socket fusion depth gauges chamfer tools**

A chamfer tool with depth gauge is a device that is used to chamfer the outside edge of the pipe. The chamfer allows the pipe end to easily enter the pipe heater face and easily enter the heated fitting.

According to the American international standard ASTM F1056

▪ Available sizes:

1/2 in.CTS

1/2 in. IPS, 3/4 in. IPS, 1 in. IPS, 1-1/4 in. IPS, 1-1/2 in. IPS, 2 in. IPS

Metric Size: 20mm , 25mm, 32mm , 40mm , 50mm , 63mm , 75mm , 90mm , 110mm

**Cold Ring Plier**

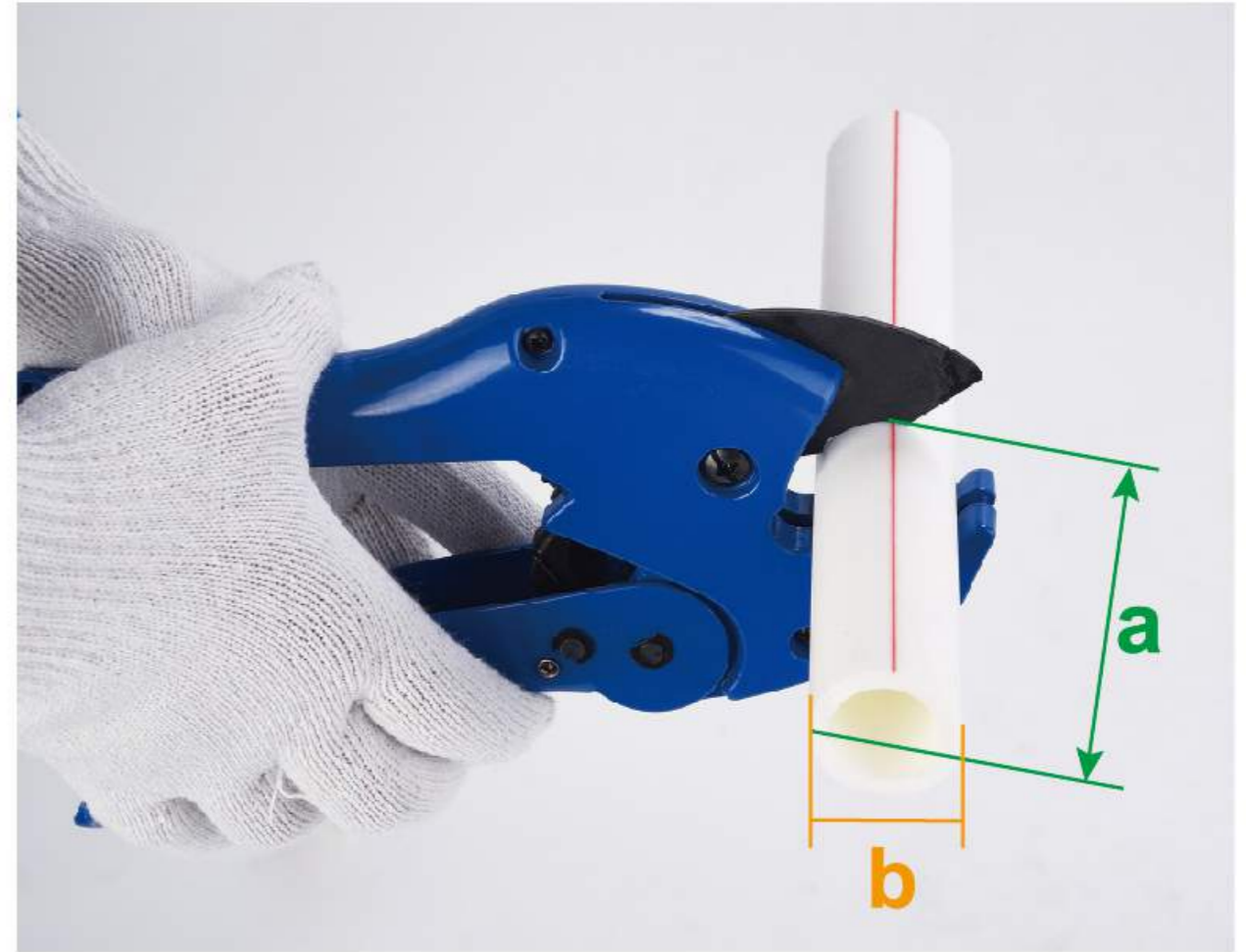
Ensures pipe roundness when used as a pipe holding device, positioned on the pipe against the fitting edge for appropriate insertion length  
According to the American international standard ASTM F1056.

Inch and metric for you to choose

Inch Size	Metric Size
1/2"	20mm
3/4"	25mm
1"	32mm
1-1/4"	40mm
1-1/2"	50mm
2"	63mm



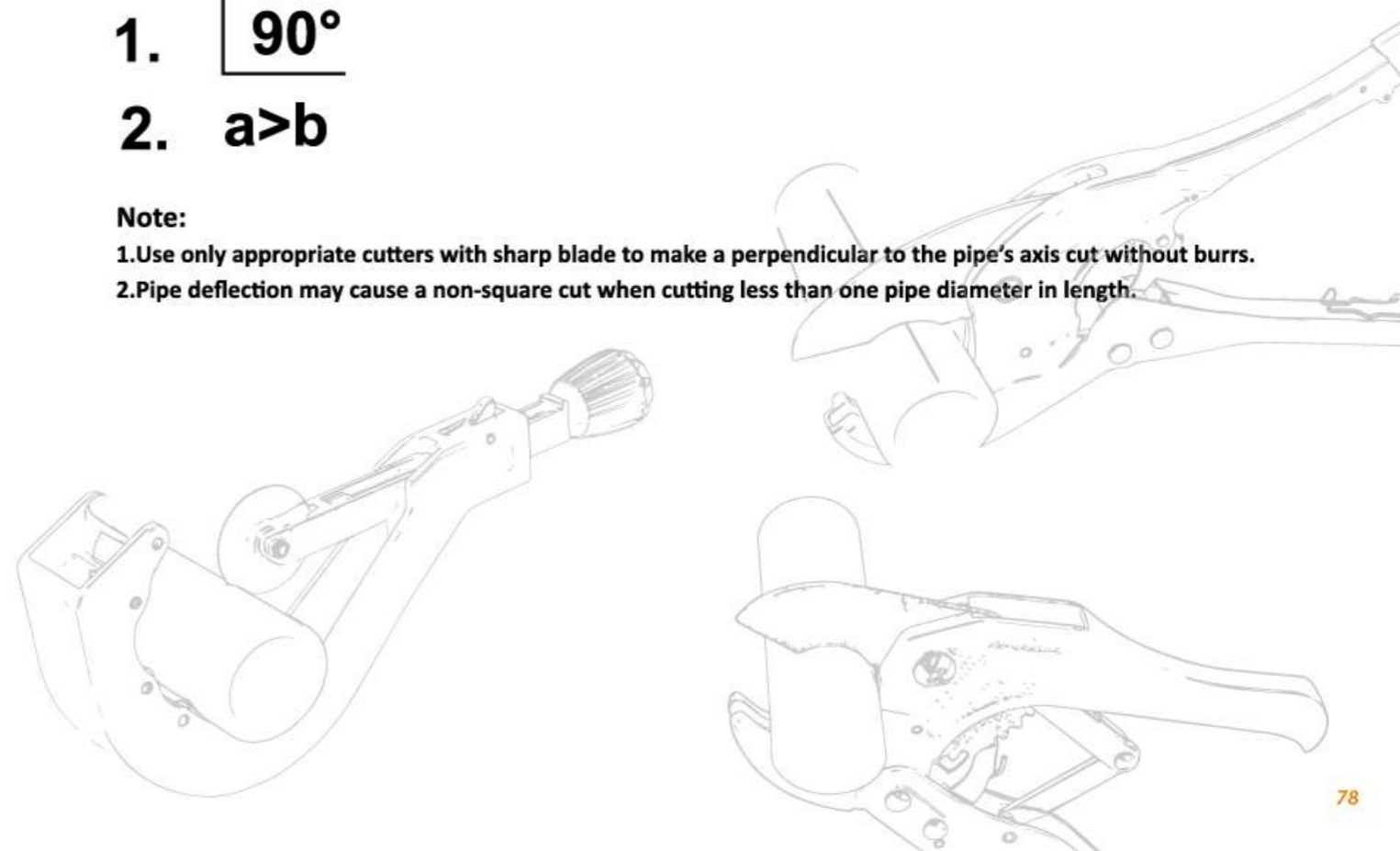
# Plastic Pipe Cutters



1.  $90^\circ$
2.  $a > b$

**Note:**

1. Use only appropriate cutters with sharp blade to make a perpendicular to the pipe's axis cut without burrs.
2. Pipe deflection may cause a non-square cut when cutting less than one pipe diameter in length.







Item No.: FYC-101C



Item No.: FYC-105



Item No.: FYC-108B

▪ **Blade:**

1. 65Mn blade with electroplating , HRC 53°±2°
2. Stainless Steel Blade with polishing , HRC 55°±2°
3. SK5 blade with electroplating , HRC 55°±2°.If with teflon coating HRC 50°±2°.

▪ **Body and handles:**

Aluminum Die-casting (ADC 12 aluminum) with plastic-spraying

Item No.:	Cutting Size (mm)	Length (cm)	N.W of each cutter (g)	Package Type	Inner Box (PCS)	Carton QTY (PCS)	N.W(KGS)	G.W.(KGS)	MEAS(CM)
FYC-101C	3-36	19.5	147.9	Sliding Card	10	100	14.80	16.80	55.5x47.5x28.2
FYC-105	3-42	22.5	474.7	Sliding Card	10	40	18.90	20.90	54x32.5x30
FYC-108B	3-63	25.5	490.5	Sliding Card	6	24	11.7	13.7	37x35x38



Item No.: FYC-109



Item No.: FYC-110



Item No.: FYC-111



Item No.: FYC-112



Item No.: FYC-200

▪ **Blade:**

1. 65Mn blade with electroplating , HRC 53°±2°
2. Stainless Steel Blade with polishing , HRC 55°±2°
3. SK5 blade with electroplating , HRC 55°±2°.If with teflon coating HRC 50°±2°.

▪ **Body and handles:**

Aluminum Die-casting (ADC 12 aluminum) with plastic-spraying

▪ **Application Area:**

For precise cutting of PVC , PP, PE, PEX , PB, MSR AND PVDF pipes.

Item No.:	Cutting Size (mm)	Length (cm)	N.W of each cutter (g)	Package Type	Inner Box (PCS)	Carton QTY (PCS)	N.W(KGS)	G.W.(KGS)	MEAS(CM)
FYC-109	3-63	43.0	1067.8	white box	1	10	10.70	12.70	44x29.5x23
FYC-110	3-75	49.0	1706.5	white box	1	10	17.10	19.10	50.5x24x38
FYC-111	3-63	28.5	490.0	Sliding Card	1	20	9.80	11.80	45x24x23.5
FYC-112	3-110	44.7	1361.2	white box	1	10	13.50	15.50	39.5x32.5x43
FYC-200	3-110	44.7	1361.2	white box	1	10	13.50	15.50	39.5x32.5x43